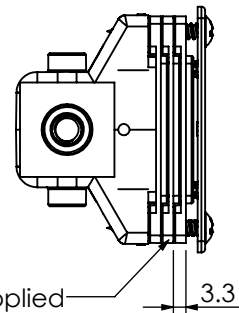
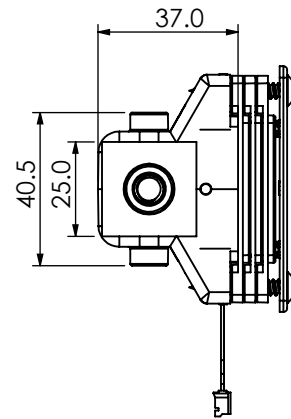
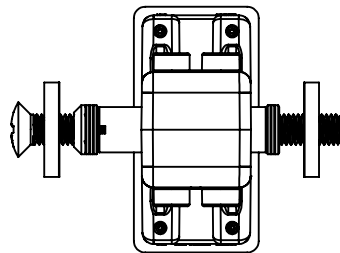
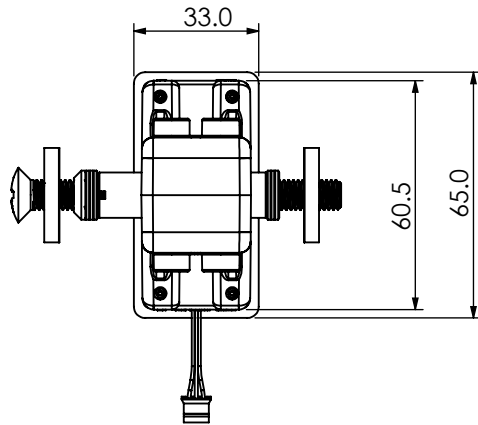
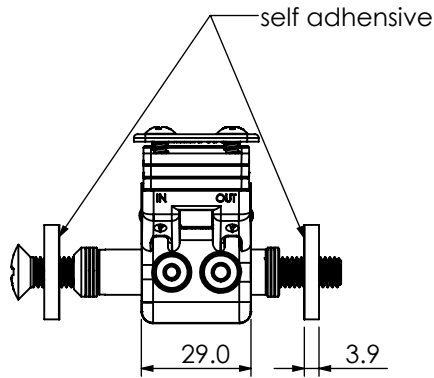
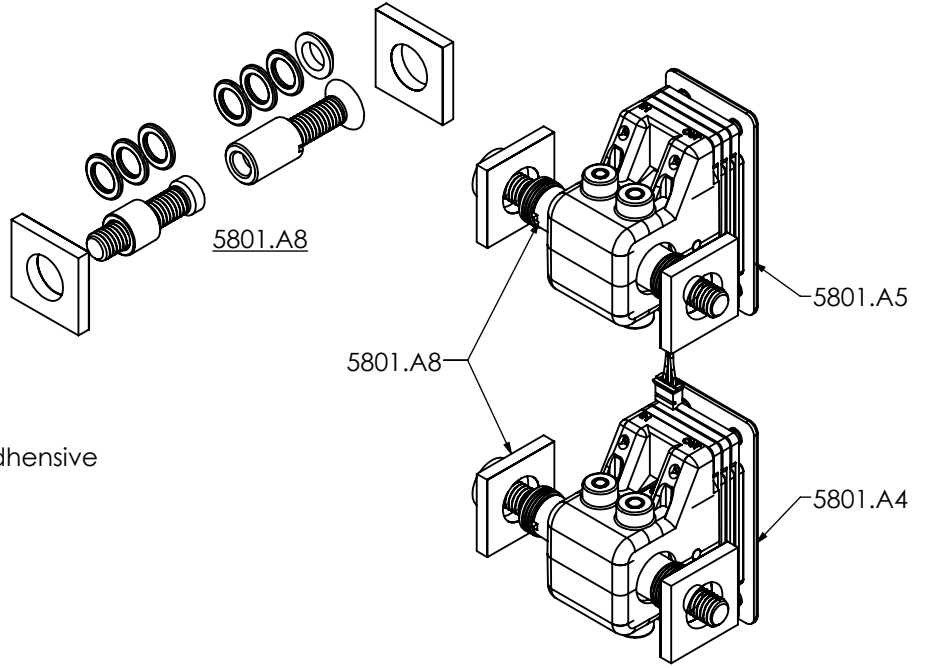


5801-101

Pivot Set Adaptor Set Generic M8

VOLTA FAMILY

VOLTA ROLLER	8800
VOLTA CONTROL BOX	2800
VOLTA POWER UNIT	2801
VOLTA HANDLE ADAPTOR	5801
D-Handle	5182-071



3x optional packer supplied

5801 - 101	Volta Handle Adaptor Set	Engineered Ploymer	Black
Part No.	Description	Outer Casing	Colour

COMPANY/CUSTOMER NAME:	DATE:	SIGN:
------------------------	-------	-------



CiilOCK Engineering Pty Ltd

The receiver accepts that this drawing remains the property of CiilOCK Engineering Pty Ltd. is forwarded on a confidential basis, it must not be copied or transmitted without written permission and will be returned to CiilOCK immediately upon request. CiilOCK reserves the right to make minor alterations without notice. All tooling, product technology, and product I.P will remain the property of CiilOCK Engineering PTY LTD at all times. This product is to be used in accordance with its intended application and design limitations. Use of this product outside of this will void any and all warranties from CiilOCK, whether expressed or implied.

Factory 1, 18 Technology Circuit, Hallam, VIC 3808, AUSTRALIA
 P:(+61 3)9703 1006 F:(+61 3)9703 2007 Web: www.ciilock.com

RELEASE	UNIT	SCALE	DWG STATE	REV.
622106	mm	1:2	C1	A2